

Serving Great Exhibits Since 1990

LIBERTY IS THE RIGHT AND HOPE OF ALL MANKIND

...THE PEOPLE WILL SET THE COURSE OF HISTO...

*George W. Bush
Presidential Library and Museum
Photo Courtesy:
Design and Production Incorporated*

EXHIBIT AUDIO CATALOG

We Bring Exhibits To Life

2018

Vista Group International Inc.
25 Van Zant Street, Unit 14-7B, Norwalk, CT 06855
Phone: +1 203.852.5557, Fax: +1 203.852.5559
WOSB, SAM Active www.vistagroupinternational.com

We Bring Exhibits to Life

When you've done all the work to create a great exhibit, you want your message to be remembered, to be effective.

Audio systems help. They offer welcome alternatives to hard-to-read labels and unintelligible loudspeakers. They present your story the way you want it delivered. They speed comprehension and add another dimension to visual displays.

Writing for audio tours is different from writing for reading. While most of our clients supply their own content, others get a boost from our scripting, production and translation services.

You also want components that measure up. We understand public use and abuse. We've been supporting great exhibits since 1990. Our client list tells the story.

You can expect us to deliver Value for Money through the entire work scope from plug and play installation, to ease of use, to low maintenance.

Give us a call to discuss your application +1 203.852.5557

Martha Yaney
Owner/CEO

Martha Yaney representing Connecticut's Small Business Development Center at the 35th Annual Reception of the America's Small Business Development Center on Capitol Hill



CONTENTS

SOUNDSTIK HANDSET MODELS AND OVERVIEW

- SOUNDSTIK CLASSIC
- SOUNDSTIK AMP
- SOUNDSTIK MP3
- SOUNDSTIK VCX

PORTABLE SOUNDSTIK CONSOLE

VCX 150 AUTO-RESET AMPLIFIER

MOBILE APPS AND TABLETS

SOUNDPOST SYSTEMS

TOUR GUIDE SYSTEMS

CAPABILITY STATEMENT

VISTA GROUP SERVICES

PAGE

1

2

4

6

8

9

10

13

14

16

17

Back Page



PRODUCTS & SERVICES

PARTIAL CLIENT LIST

Bringing exhibits to life at fine institutions like these:

Carolina Music Museum	Mississippi State History Museum
Cooper Hewitt Museum of Design	Museum of the Bible
George W. Bush Presidential Museum	Museum of New Mexico
Gettysburg National Historic Battlefield	National Center for Civil and Human Rights
John F. Kennedy Presidential Library	National Flight 93 Memorial
Heard Museum	National September 11 Museum
Kentucky Derby Museum	New York Historical Society
Levine Museum of the New South	Pro Football Hall of Fame
Library of Congress	Rubin Museum of Art
Lincoln's Home NHS	White House Visitor Center

Supporting stunning works by experts like these:
















Barry Howard Ltd.	Electrosonic, Inc.
Blair, Dubilier and Associates	Empire Exhibits and Displays
Boston Productions	Mystic Scenic Studios
Capitol Exhibit Services	National Parks Service
Color-Ad	Quatrefoil Associates
Corbett Technologies	Signal Innova
DB Media	Studio Joseph
Design and Integration, Inc.	Videosonic Systems
Design and Production Incorporated	Whitlock Goup

SOUNDSTIK® Model Overview

Assembled and serviced in America by Vista Group International, Inc.
 25 Van Zant Street, Unit 14-7B, Norwalk CT 06855
<https://www.vistagroupinternational.com> info@vistagroupinternational.com
 US Toll Free: 1.800.866.2113 TEL: +1 203.852.5557 FAX: +1 203.852.5559
 WOSB SAM Active



We Bring Exhibits to Life

MODEL	TYPICAL USE	WHAT IT DOES	In the Box
SOUNDSTIK-CLASSIC ADA Compliant  	Brings static exhibits to life 	Plays back audio from any source. Upgrades available: <ul style="list-style-type: none"> • Start/Stop client device • Silence speaker on hang up • 2nd program push button 	Handset with armored cable, strain relief lanyard, heavy-duty mounting hardware. Junction box for easy connection. Hanger Mount
SOUNDSTIK-AMP WITH VOLUME CONTROL  ADA and §508 Compliant 	Quiets video kiosk clusters 	Plays back audio from headphone out or line out. <ul style="list-style-type: none"> • Built-in amplifier • Auto-mute on hang up • Auto-reset volume • Integrated device control contacts 	As above, plus: <ul style="list-style-type: none"> • Power supply • Plug and play wiring kit with splitters as required
SOUNDSTIK-MP3 WITH VOLUME CONTROL  ADA and §508 Compliant 	Simplifies self-serve audio tour 	Stores and plays one MP3 file. No player required. <ul style="list-style-type: none"> • Auto-reset volume • Auto-reset program • Easy to change or update audio program 	As above, plus: <ul style="list-style-type: none"> • USB cable for file transfer
SOUNDSTIK-VCX  ADA and §508 Compliant 	New tool for adjustable volume with auto-reset 	Companion handset for Vista Group VCX-150: Auto-Reset Volume Amplifier Upgrades available: <ul style="list-style-type: none"> • Reed switch NO or NC • Auto-mute speaker 	Handset with speaker, push buttons, armored cable with strain relief. Plug and play hookup to VCX 150. (VCX 150 purchased separately)
SOUNDSTIK CONSOLE ADA and §508 Compliant  	Takes your show on the road 	Portable multimedia kiosk with many configurations for use with client supplied tablet or graphic panel.	Ready-to-go interactive prefabricated and wired for client selected features.

SOUNDSTIK® classic

For sound without spillover



If you want to install it and forget about it, get a SoundStik. Five years later it will still be working.

Dave Assal
db-mediainc.com

Add audio impact. Reduce noise pollution.

Easy to use, tough to break, backed by over-the-top service. SoundStik-classic handsets give you value for the money.

- Looking for ease of use? Visitors lift to listen.
- Wish it would start the audio program on lift? or turn on an LED? Or silence the speaker when hanging up? We'll build in a switch. How about a push button for a second language?
- Want multiple SoundStik handsets at one source to play until the last one is hung up? You can do it.
- Need easy installation? Works with any sound source. Two wires for audio, two more for a switch. Plug and play wiring or not as you prefer.
- Need low maintenance? Hook up the adjustable length internal restrainer for vandal resistance.

Call Vista Group to discuss your application.

We Bring Exhibits to Life



Woman Owned Small Business SAM Active

25 Van Zant Street, Unit 14-7B, Norwalk, CT 06855

US Toll Free: 1.800.866.2113 TEL: +1.203.852.5557 FAX: +1.203.852.5559

<https://www.vistagroupinternational.com/product-page/soundstik-classic> info@vistagroupinternational.com



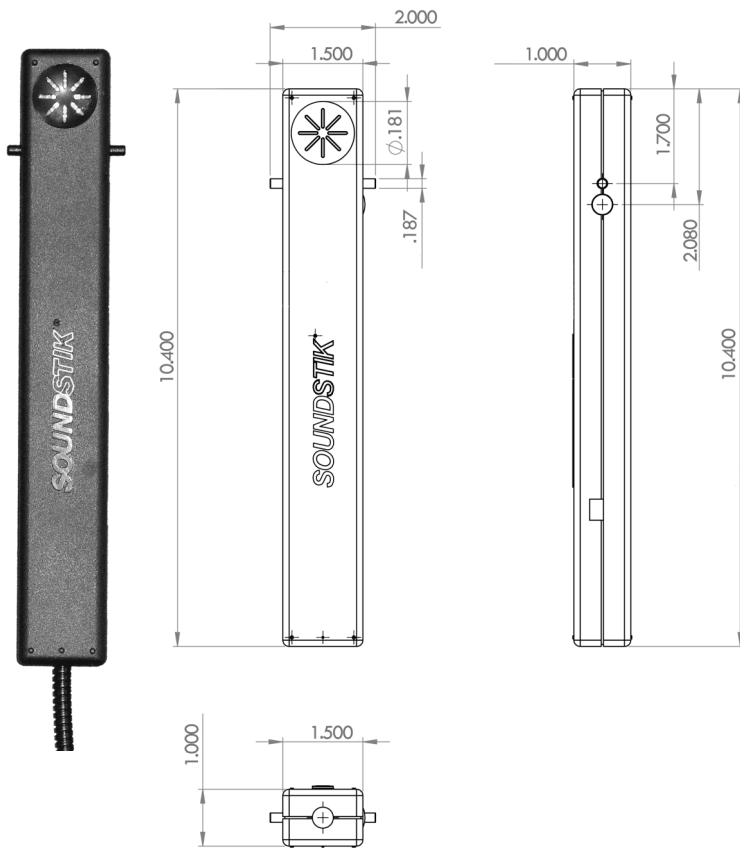
Socially Responsible

Fulfills ADA objectives

Eco-friendly materials

Assembled and serviced in America

SoundStik-classic



Not to Scale

FEATURES

Easy Lift to listen

Sanitary Wipes clean

Highly Durable NoBreak® case

Versatile Upgrades

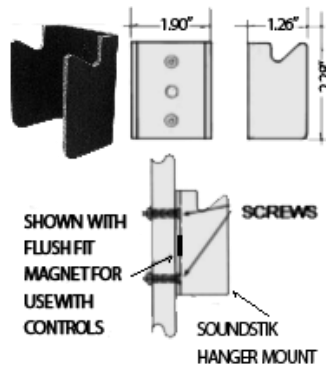
- Client device control - Start/Stop/Interrupt
- Auto-mute on hang up - Keeps videos quiet
- On handset push button - 2nd language or message

Available Exhibit Components:

- 2W amplifier for Line Out
- Display panel push buttons
- Message repeaters, etc.

In the Box:

- SoundStik-classic with 48" armored cable with vandal resistant restrainer
- Mounting hardware installed on tether
- Hanger Mount
- Optional 2W amp for Line Out



SPECIFICATIONS

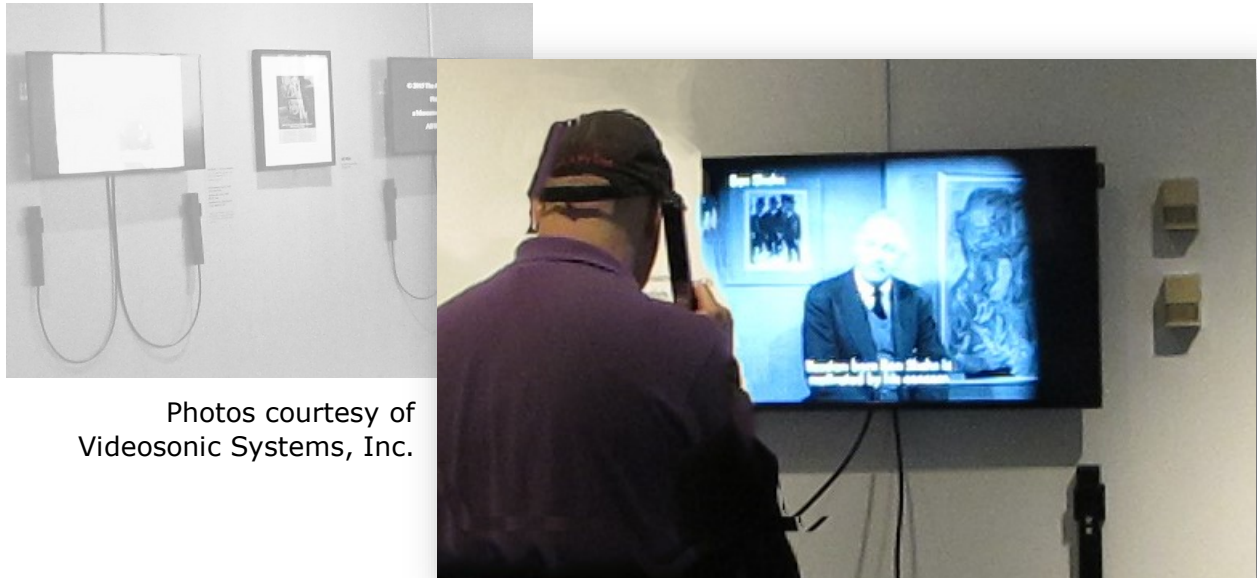
Material	ABS-PC	Hearing Aid Compatible	Yes
	High impact and high stress resistant, flame retardant, eco-friendly, recyclable	T-Coil Compatible**	ANSI C63.19-2007
Size	10.5 L, 1.5 W, 1 D (in) 265 L, 38 W, 27 D (mm)	§ 508 Compliant	No
Color	Black	ADA Compliant	Yes
Push Buttons	Light gray, tactile	ROHS Compliant	Yes
Armored Tether *	Stainless steel, 48" (1220 mm), Black sheathing with stainless steel restrainer cable	Control Switch (Available)	Reed
Speaker	32 Ohm, neodymium, PET film	Controls	NC or NO
Frequency Response	20Hz -22kHz	Hanger Mount Material	Aluminum
SPL	109 dB, ±2 dB at 1 kHz	Hanger Mount Finish	Black
Impedance	Low	Hanger Mount Size	2.38 L, 1.88 W, 1.50 D (in) 57.8 L, 1.88 W, 31.9 D (mm)
Audio input	Unbalanced	Spare Parts	Yes
		Repair Service	Yes
		Warranty	2 Year Limited Lifetime

*Contact Vista Group for custom lengths

**Contact Vista Group for documentation, if required.

SOUNDSTIK[®] amp

When you need to keep video kiosk clusters quiet



Photos courtesy of
Videasonic Systems, Inc.

More immersive. Less noise.

Silent movies were exciting in their day. Now not so much. Give your visitors great sound and maintain a quiet ambiance. Vista's convenient SoundStik-amp audio handsets are chock-full of features to give long lasting value for the money.

Visitors lift and listen. Speaker is silent when hanging up.

- Competing loudspeakers and ambient noise? Increase intelligibility even in noisy environments with personal listening boosted by volume control that automatically resets.
- Are your visitors getting the whole picture? Add audio to provide the other half of the story. Speed comprehension and simultaneously add extra enjoyment and meaning.
- Want to meet disability compliance standards? We can help.

Designed to make the whole work scope easier and better, the SoundStik-amp is an ultra-reliable upgrade for any exhibit with a story to tell.

We Bring Exhibits to Life



Woman Owned Small Business SAM Active

25 Van Zant Street, Unit 14-7B, Norwalk, CT 06855

US Toll Free: 1.800.866.2113 TEL: +1.203.852.5557 FAX: +1.203.852.5559

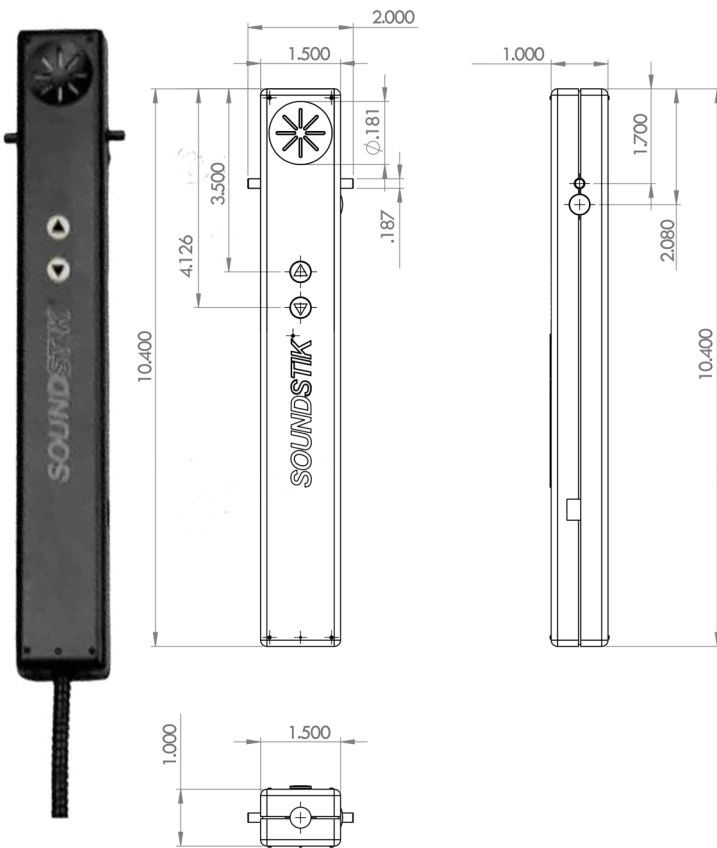
<https://www.vistagroupinternational.com/product-page/soundstik-amp> info@vistagroupinternational.com



Socially Responsible

- Fulfills ADA and §508 disability access and anti-discrimination regulations
- Eco-friendly materials
- Assembled and serviced in America

SOUNDSTIK[®] amp



Not to Scale

FEATURES :

Convenient Built-In Amplifier

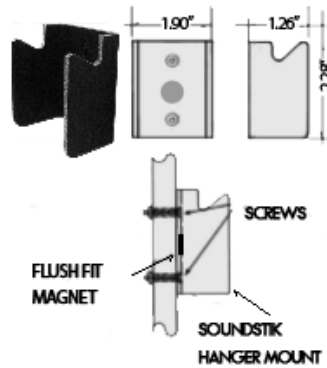
Easy Lift to listen

Sanitary Wipes clean

Highly durable NoBreak[®] case

More Capable

- Client device control contacts
- Auto-mute on hang up
- Adjustable volume while listening with auto-reset to mid-range
- Accessibility compliant



In the Box:

- SoundStik with built-in amplifier, 48" armored cable with vandal resistant restrainer
- Mounting hardware installed on tether
- Hanger Mount
- Power supply with audio hook-up cable
- Modular junction box with plug and play wiring

SPECIFICATIONS

Material	ABS-PC High impact and high stress resistant, flame retardant, eco-friendly, recyclable	Hearing Aid T-Coil Compatible	Yes, ANSI C63. 19-2007**
Size	10.5 L, 1.5 W, 1 D (in) 265 L, 38 W, 27 D (mm)	§ 508 Compliant	Yes
Color	Black	ADA Compliant**	Yes
Push Buttons	Light gray, tactile	ROHS Compliant	Yes
Armored Tether *	Stainless steel, 48" (1220 mm) Black sheathing with stainless steel restrainer cable	Power Supply	Regulated 5VDC 1 Amp
Speaker	32 Ohm, neodymium, PET film	Max Power Consumption	600 Milliwatts
Frequency Response	20Hz-22kHz	Control Switch	Magnetic
SPL	109 db, ±2 db at 1 kHz	Controls	Auto-Reset volume
Volume Adjustment	+/- 15dB Relative to client input	Controls (for optional use)	Auto-Mute on hang up NC condition default NO upon request
Impedance	High	Hanger Mount Material	Aluminum
		Hanger Mount Finish	Black
		Hanger Mount Size	2.38 L, 1.88 W, 1.50" D (in) 57.8 L, 48.5W, 31.9D (mm)
		Modular wiring	6P6C
		Spare Parts	Yes
*Contact Vista Group for custom lengths		Repair Service	Yes
** Contact Vista Group for documentation, if required.		Warranty	2 Year Limited Lifetime

SOUNDSTIK® mp3

For audio impact with less to buy and hide



...we have been thrilled with their performance! Visitor feedback has been great – so we are looking to add some more Stiks in the museum.

*Justin Gamache
Wright Museum of World War II*

Photo Courtesy of the Wright Museum of WWII

A self-contained sound system

Fortify your exhibit with CD quality sound and disability access compliance by using a convenient SoundStik-mp3 audio handset.

Visitors lift and listen. Program starts automatically.

- So much to see? Bring out the best with a highlight tour and simultaneously accommodate visitors who have low-vision.
- Static exhibit? Give it energy with character voices, music and sound effects.
- Visitors ignoring your text panels? Expand your reach to visitors who are expecting multimedia.
- Competing with ambient noise? Increase intelligibility and reduce noise pollution with personal listening. Adjustable volume helps visitors who are hard-of-hearing and it resets automatically for the next user.

An all-in-one solution for exhibit interpretation, the SoundStik-mp3 is designed for simplicity and reliability from start to finish.

Contact us to discuss your application.

We Bring Exhibits to Life



Woman Owned Small Business SAM Active

25 Van Zant Street, Unit 14-7B, Norwalk, CT 06855

US Toll Free: 1.800.866.2113 TEL: +1.203.852.5557 FAX: +1.203.852.5559

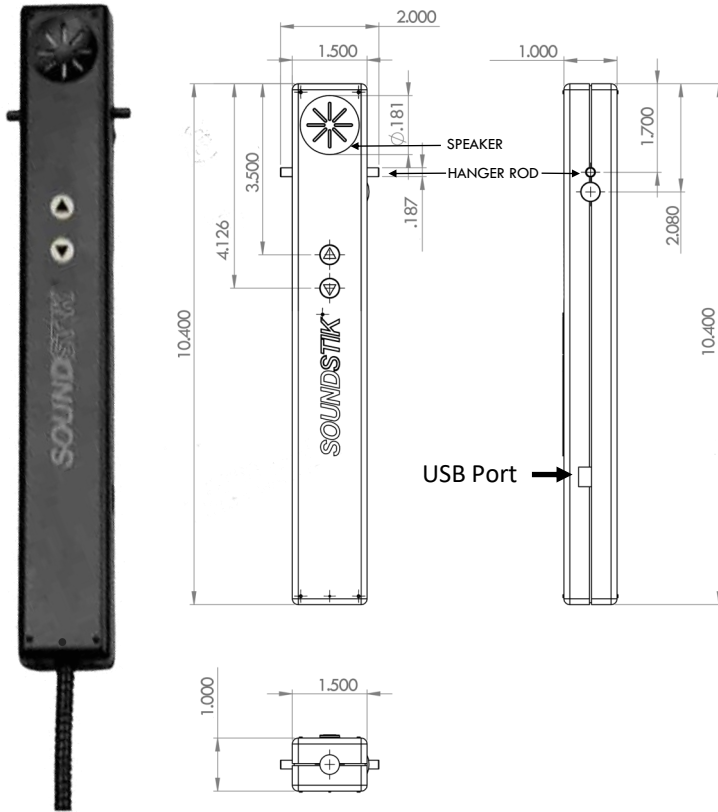
<https://www.vistagroupinternational.com/product-page/soundstik-mp3> info@vistagroupinternational.com



Socially Responsible

- Fulfills ADA and §508 disability access and anti-discrimination regulations
- Eco-friendly materials
- Assembled and serviced in America

SoundStik-mp3



Not to Scale

FEATURES

Stores and Plays an MP3 File

No player required

Lift and Listen

Program starts automatically

Volume is adjustable and resets

Low Maintenance

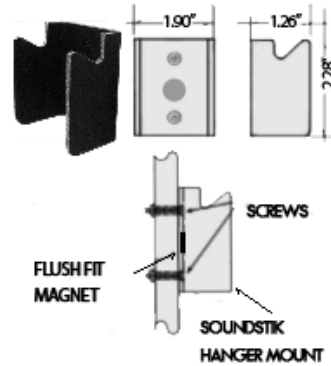
Easy to update mp3 file: USB/SD

Sanitary - Wipes clean

Highly durable *NoBreak*® Case

In the Box:

- SoundStik-mp3 with 48" armored cable with vandal resistant restrainer
- Mounting hardware installed on tether
- Hanger Mount
- Power supply
- USB cable
- Plug-and-play wiring.



SPECIFICATIONS

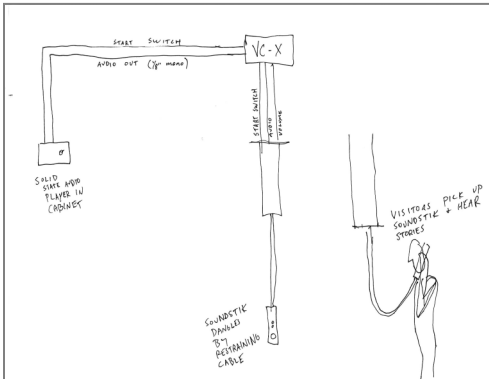
Material	ABS-PC High impact and high stress resistant flame retardant, eco-friendly, recyclable	Hearing aid T-coil compatible	Yes, ANSI C63.19-2007**
Size	10.5 L, 1.5 W, 1 D (in) 265 L, 38 W, 27 D (mm)	§ 508 compliant	Yes
Color	Black	ADA compliant	Yes
Push Buttons	Light gray, tactile	ROHS compliant	Yes
Armored Tether *	Stainless steel, 48" (1220 mm), black sheathing with stainless steel restrainer cable	Power Supply - switching	5VDC Regulated, 1 Amp
Speaker	32 Ohm, neodymium, PET film	Max power consumption	600 Milliwatts
Frequency Response	20Hz-20 kHz	Control switch	Magnetic
SPL	109 dB, ±2 dB at 1 kHz	Controls	Start on pick-up, Auto-reset volume
Volume Adjustment	+/- 15db Relative to client input	Hanger Mount Material	Aluminum
Capacity	256 Minutes CD quality sound	Hanger Mount Finish	Back
Bit Rate	128 kbps	Hanger Mount Size	2.38 L, 1.88 W, 1.50 D (in) 57.8 L, 48.5 W, 31.9 D (mm)
Sampling Frequency	44.1 kHz	Spare Parts	Yes
		Repair Service	Yes
		Warranty	2 Year Limited Lifetime

* Contact Vista Group for custom lengths

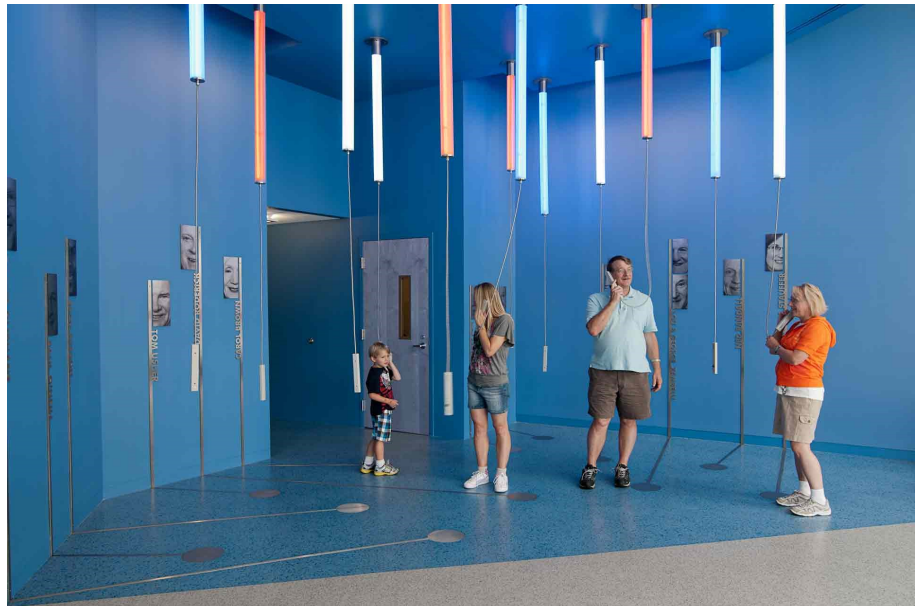
** Contact Vista Group for documentation, if required.

SOUNDSTIK® vcx

For VCX150 Auto-Reset Volume Amplifier



PNC Bank Legacy Project, Pittsburgh
Design, Media and Fabrication by
Quatrefoil Associates



Offering 6 new solutions for listener adjustable volume with auto-reset

The SOUNDSTIKvcx is a companion audio handset for Vista Group's external volume resetting amplifier. The combination gives audio-visual designers new tools for offering personalized audio at exhibits, kiosks, and interactive displays. In addition, it helps exhibits comply with accessibility regulations.

Visitors lift the SOUNDSTIKvcx handset and start playback of the soundtrack or audio program. They can adjust volume to their preferred level while listening. The VCX150 will hold the volume until the visitor finishes listening. Then it resets.

Available options: Hanger Mount, remote audio jack, client device control switch.

Call us to find out more.



VCX 150 Modes

- 1) Typical push button start
- 2) Invert
- 3) Follow
- 4) Silence detect
- 5) Mute on Hang Up
- 6) Earphone Detect



Woman Owned Small Business SAM Active

25 Van Zant Street, Unit 14-7B, Norwalk, CT 06855

US Toll Free: 1.800.866.2113 TEL: +1.203.852.5557 FAX: +1.203.852.5559

<https://www.vistagroupinternational.com/product-page/soundstik-vcx> info@vistagroupinternational.com



SOUNDSTIK® *Portable Consoles*

All-In-One Kiosks: Performance and Reliability

With a SoundStik Console, you will have the freedom to offer an interactive display anywhere you want. Use it in your entryway to welcome visitors. Present interviews with board members to encourage donations and memberships. Lend it to the library or nature center as a table top travelling exhibit and promote your events.

Versatile configurations. Industrial strength. Easy to clean. Helps visitors who have low vision or who are hard-of-hearing. Engineered and assembled in America.



SOUNDSTIK iPad Console

Load your video onto the iPad and let the soundtrack play. SoundStik handsets are silent when hanging up and play on lift. Built-in loudspeakers for a classroom group.

Great for looping videos.



SOUNDSTIK-mp3 Console

Mount your graphic, photo, or brochure holders on the panel. Copy your mp3 file to our handsets by USB/SD. You're ready to go.

Ideal for frequently changing messages.

*AVAILABLE OPTIONS INCLUDE: Donor nameplates • Earphone jack for BYOD headphones. • Mini public address system
Braille plates • Language labels. FINISHES: natural cherry, cherry sorrel, custom*

DIMENSIONS: Front Panel: 22" x 15" panel, Console: 10"H, 22"W, 15.5"D" **WEIGHT:** 23 pounds

Give us a call to talk about your application

We Bring Exhibits to Life

Vista Group International, Inc.

Woman Owned Small Business SAM Active

25 Van Zant Street, Unit 14-7B, Norwalk, CT 06855

TEL: +1 203.852.5557 FAX +1 203.852.5559

VistaGroupInternational.com info@vistagroupinternational.com

AUTO RESET AMP—vcx 150

Listener Adjustable Volume with Auto Reset



*A new tool
for audio enhancement or audio description*

When you want a better visitor experience for people who are hard-of-hearing or who have low vision, the new VC150 is a handy addition to your toolkit.

The versatile AUTO-RESET AMP VCX150 upgrades typical audio playback systems. Listeners can adjust volume to suit their hearing preference or compensate for ambient noise. The VCX150 automatically resets the volume to midrange for the next visitor.

The headphone detect mode is a convenient way to provide audio description at exhibits or to accommodate visitors who prefer to use their own headsets.

Other modes allow lifting a SOUNDSTIKvcx handset to start a soundtrack and reset volume on hang up. Dip switch setting that invert make it possible to work around existing configurations and retro-fit older exhibits.

Vista Group audio products have been serving the museum community, here and abroad, for over 25 years. Clients include museums, libraries, state and national parks, historical societies, halls of fame, nature centers, tradeshow and corporations.

We Bring Exhibits to Life

Modes of Operation:

- 1) Typical push button start detect
- 2) Non-momentary switch start detect
- 3) Device Start
- 4) Silence detect
- 5) Mute speaker on hang-up
- 6) Earphone insertion detect

Compatible With:

- 1) Small, efficient speakers
- 2) Typical headphones
- 3) Generic audio handsets
- 4) Vista Group SOUNDSTIK classic or vcx audio handsets

Socially Responsible

- Fulfills ADA and §508 disability access and anti-discrimination regulations
- Eco-friendly materials
- Assembled and serviced in America



**VISTA GROUP
INTERNATIONAL**

Woman Owned Small Business SAM Active

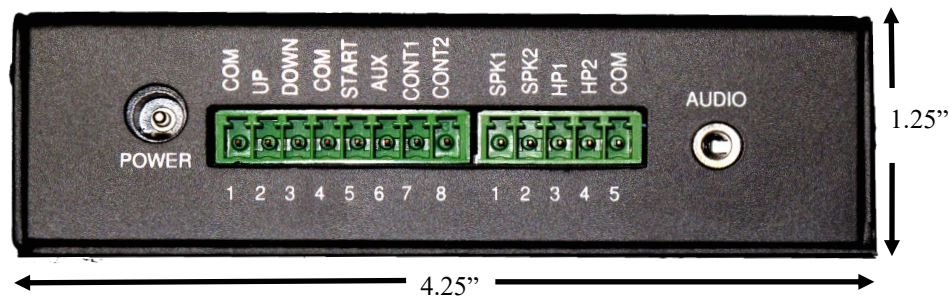
25 Van Zant Street, Unit 14-7B, Norwalk, CT 06855

US Toll Free: 1.800.866.2113 TEL: +1.203.852.5557 FAX: +1.203.852.5559

<https://www.vistagroupinternational.com/product-page/vcx-150-auto-reset-amplifier> info@vistagroupinternational.com

AUTO RESET AMP—vcx 150

Adjustable Volume with Auto Reset



Pluggable Connections

- | | |
|---------------------------------------------------------------------|----------------------------------------------|
| 1. Com: Common for volume push button inputs | 1. Spkr +: Output from amp to speaker |
| 2. UP: Increase volume push button (Normally Open) | 2. Spkr -: Output from amp to speaker |
| 3. DN: Decrease volume push button (Normally Open) | 3. HP1 Headphone jack tip |
| 4. Com: Common for optional Start Switch input | 4. HP2 Headphone jack ring |
| 5. Start: Optional Start Switch (Normally Open) | 5. Com Headphone jack common |
| 6. Aux: Saved for future use | |
| 7. Cont 1: Optional output from amp to player's Start Common | |
| 8. Cont 2: Optional output from amp to player's Start Hot | |

Specifications

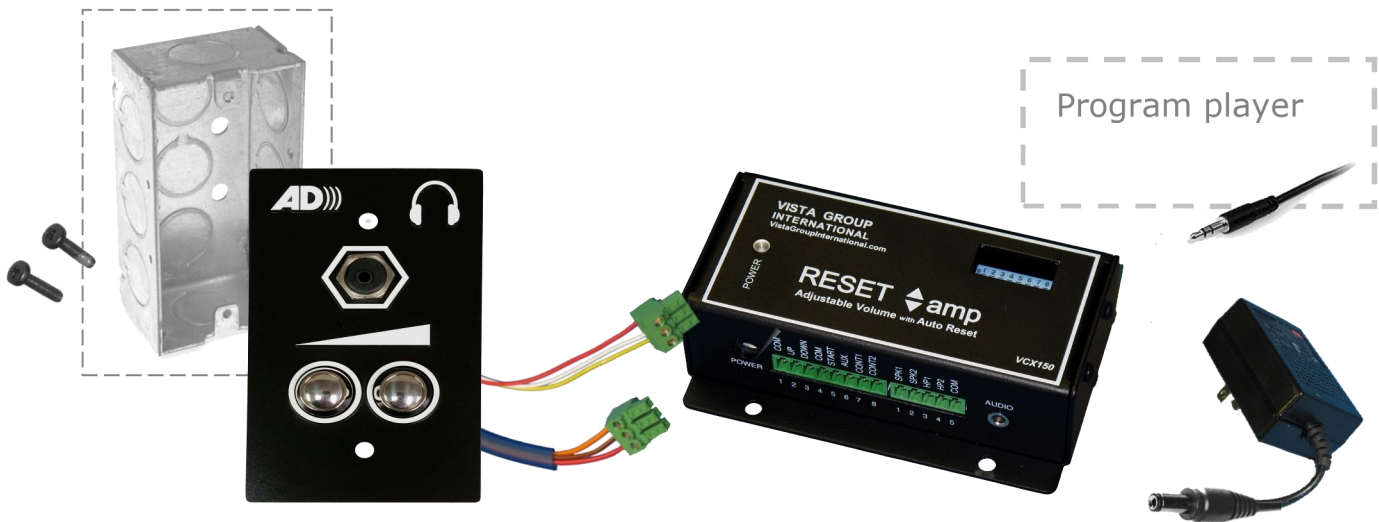
Audio Input	Line level or headphone output, high impedance
Audio Output	1 Watt, 8 ohms to 32 ohms, mono
Power Supply	5V, 1 amp regulated, switchable for mains value
Max Power Consumption	200 milliamps
Status Indicator	Power LED
Size	4.25W, 1.25H, 3.34D (in) 108W, 96H 32D (mm)
Color	Black paint with white silk screen
Material	Aluminum
Warranty	2 Years

In the Box

VCX150
Power Supply
Remote Headphone Jack

VCX150 KIOSK UPGRADE KIT

For audio description and hearing enhancement



Designed to personalize your visitor's listening experience.

Inserting an earphone or headset in the control plate jack will allow audio to start at midrange. The listener can adjust the volume up or down with the stainless steel push buttons. If there are multiple selectable audio programs, the volume will remain at the user's preference until the headphones are removed.

The VCX150 Kiosk Upgrade Kit is a seamless, cost effective, durable solution for accommodating people who have low vision or who are hard-of-hearing. It complies with ADA and Section 508 handicapped access and anti-discrimination regulations. Custom control plates are available.

Quick and easy. Two screw installation.

No technical help required.

1. Mount our pre-assembled control plate on a single gang electrical box or ring.
2. Plug the wiring into the VCX150 amp with dip switch #1 up, #2-#8 down.
3. Plug in your audio.
4. Power up.

You're done.

Call us to discuss your application.

We Bring Exhibits to Life



Woman Owned Small Business SAM Active

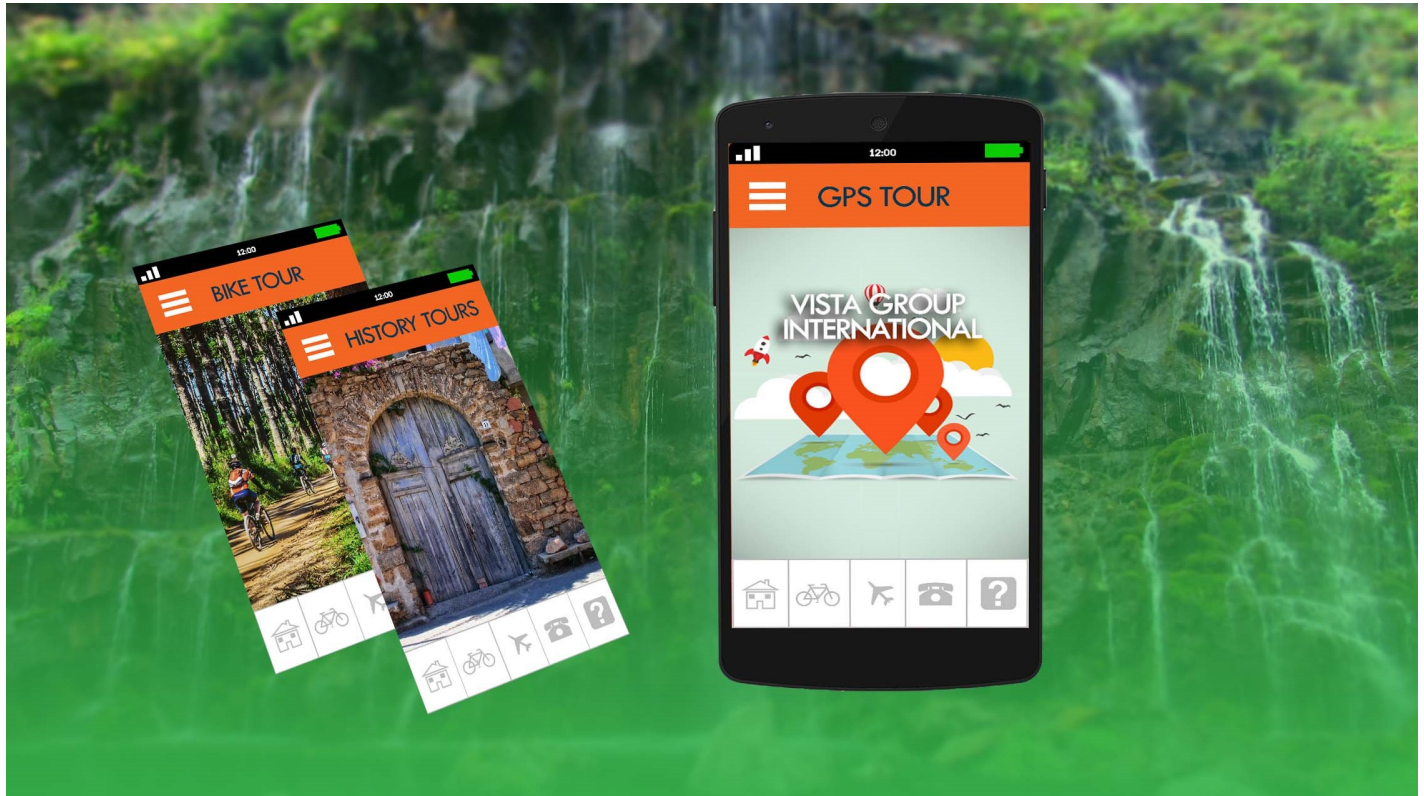
25 Van Zant Street, Unit 14-7B, Norwalk, CT 06855

US Toll Free: 1.800.866.2113 TEL: +1.203.852.5557 FAX: +1.203.852.5559

<https://www.vistagroupinternational.com/downloads> info@vistagroupinternational.com

Mobile Apps and Tablet Tour Guide Systems

New technologies with past performance you know



Seeking a better audio tour?

Consider apps and tablets - a combination that serves both smartphone devotees and visitors who prefer a larger screen.

Stay on top of a fast changing industry with technology and hardware service updates and upgrades.

Start to finish content development and translation or we'll pour your content into the app.

Down to earth navigation for ease of use.

Free content revisions with no downtime: your choice of do-it-yourself or done-for-you.

Give us a call to learn more about transitioning to a totally branded, flexible, cost effective app.

What can an app do?

Ticketing and validation

GPS tours

Multiple languages

Wayfinding maps

Short or in-depth tours

Audio or video clips

Augmented reality

E-commerce store

And more



We Bring Exhibits to Life

Woman Owned Small Business SAM Active

25 Van Zant Street, Unit 14-7B, Norwalk, CT 06855

US Toll Free: 1.800.866.2113 TEL: +1.203.852.5557 FAX: +1.203.852.5559

<https://www.vistagroupinternational.com/mobile-apps> info@vistagroupinternational.com

SoundPost Overview

When Your Story is Bigger Than Your Sign



**Mattie Stepanek
Memorial Park
Peace Garden.**

**Solar powered
SoundPost with four
selections of poetry
written and read by
Mattie.**

**Photos courtesy of
John Slater,
Slater Associates.**

Let your signs do more.

Powered by mains, batteries or solar cells, our SoundPost audio signs tell your stories in a personal, professional manner—every time.

- No reenactment volunteers? Recreate history with character voices, sound effects and music.
- Short visitor center hours? Share compelling images and not-to-be-missed information despite being closed for the day.
- Trail guides brochures not enough? Identify birdsongs and wildlife calls, speak Native American languages—even where there's no power.

SoundPost audio signs add enjoyment and meaning for everyone. And they provide access and another style of learning for visitors with handicaps.

With the combination of a weatherproof, vandal-resistant graphic structure and today's maintenance-free audio technology, your whole story will be ready for every visitor.



Woman Owned Small Business SAM Active

25 Van Zant Street, Unit 14-7B, Norwalk, CT 06855

US Toll Free: 1.800.866.2113 TEL: +1.203.852.5557 FAX: +1.203.852.5559

<https://www.vistagroupinternational.com/audio-signs> info@vistagroupinternational.com

We bring exhibits to life

How SoundPost Audio Signs Work

Visitor Experience

Designed to serve a family or small group, the SoundPost allows visitors to press a push button to start program playback. To suit browsers wanting only highlights as well as more inquisitive visitors seeking in-depth information, SoundPosts may be made with single or multiple messages.

An eye-catching graphic panel mounted on the SoundPost or nearby draws visitor attention. For visitors who are hearing impaired, the sign serves as a visual cue for the accompanying audio program. For visitors who are visually impaired, the audio offers a way to get meaning from the sign. Everyone benefits from the added dynamic of sound.

Graphic Panels

Whether you want bright sharp colors or muted tones, today's graphic panels last for years and resist vandalism and fading. Typical sizes are 20"W x 16"H and 36"W x 24"H. Create your own or let Vista Group assist. When wall mounted or stand-alone graphics are used, SoundPost listening stations may be made without a graphic panel.

Program Content

You can develop and load your own sound files or choose from Vista Group's message production services, including: script writing, editing, music and sound effects, character voices, narration, and translation. Programs can be any length.

SoundPost Structure

SoundPost columns are sized to accommodate the graphic panel and power source. They are made of 1/8" aluminum, powder painted with a slight texture to resist damaging effects of weather and grime. Deck mounting on a cement or similar pad facilitates removal for service in later years. An in-ground mounting model is available, if preferred. Standard colors are Charcoal, Black, Green, Gray and Warm Brown.

Electronics Panel

Electronics are installed on a removable aluminum panel mounted on a locked access door. The panel houses the digital message repeater and wiring harness to the vandal resistant push buttons and speaker. Wiring harnesses are labeled for ease and safety when servicing equipment. The repeaters will hold the message even if the power goes off. For seaside locations or others where humidity is high, ask about our harsh environment weatherproofing.

Power

Power is brought to the SoundPost via mains, rechargeable batteries or solar panel. Vista Group's proprietary battery circuit savers are installed when appropriate.

Call us to talk about your application.



Sentinel Rock State Park. Trailside SoundPost with rechargeable batteries.

Photo Courtesy of Vermont State Parks

We bring exhibits to life



Tour Guide Systems

Let everyone hear the guide clearly



Seeking a better guided tour?

You've worked hard to hire the most animated and experienced guides. But if your visitors have to strain to hear them, they may leave disappointed.

Consider a tour guide system that lets your visitors hear the guide clearly - even from the back of the group or in a noisy environment.

Many older visitors suffer from partial hearing loss and appreciate being able to control the volume and make the guide louder.

Flexible features make it easy to use the same equipment to provide a better listening experience for foreign language interpretation, conference rooms, or lecture halls.

Give us a call to learn more about transitioning to the new lightweight, heavy duty equipment available today.

We Bring Exhibits to Life

What can a tour guide system do?

Make it easier for visitors to understand guides with foreign accents.

Allow a visitor to pause to take a photo and continue to enjoy the guide's talk.

Reduce voice fatigue.

Permit the group to tour unobtrusively in libraries, sacred sites and museums.

Eliminate bunching and tag-alongs.

Enhance bus trip commentary with music and interviews.

Fulfill OSHA hearing protection requirements for factory tours.



Woman Owned Small Business SAM Active

25 Van Zant Street, Unit 14-7B, Norwalk, CT 06855

US Toll Free: 1.800.866.2113 TEL: +1.203.852.5557 FAX: +1.203.852.5559

<https://www.vistagroupinternational.com/tour-guide-systems> info@vistagroupinternational.com



Exhibit Audio

We bring exhibits to life



VISTA GROUP INTERNATIONAL, INC.

Capability Statement

Core Competencies

Vista Group International provides interpretive audio for curators, exhibit designers and builders. We service, sell and manufacture **SOUNDSTIK® audio handsets** and interactive **iPad Consoles**, **VCX Volume Auto-Reset amplifiers**, and **SoundPost outdoor audio signs**. Vista Group also offers digital message repeaters, tour guide systems, self-guided audio tour tablets and apps; and we support clients with a wide range of program content services.

Past Performance

References Upon Request

SOUNDSTIK®

- National September 11 Memorial & Museum
- J. F. Kennedy Center for Performing Arts
- Seven Presidential Libraries
- National Pro Football Hall of Fame
- National Center for Civil & Human Rights
- White House Visitor Center

VCX Volume Auto-Reset Amp

- White House Visitor Center
- National September 11 Memorial & Museum
- PNC Bank, Pittsburgh, PA
- Central High School, Little Rock, AR

Tour Guide Systems

- Stanford University Travel Study Program
- TCS and Starquest Expeditions
- Novitex

SoundPost

- Florida Dept. of Environment—mains
- Sentinel Rock State Park, VT—battery
- Mattie Stepanek Peace Park, MD—solar

SoundStik iPad Console

- New City Library, NY
- Darien Historical Society, CT

Differentiators

Value for Money

We design our products to be rock-solid for long-term public use and abuse. Easy to install. Easy to use. SoundStik cases are eco-friendly as well as high impact resistant, high stress resistant and fire resistant. Vista Group service and parts prevent waste; and we back up our work with the longest warranties in the business.

Only Audio Handset to Meet Accessibility Regulations

SoundStik models meet ANSI/EEE Std. C63.19-2007 HAC, ADA, and Section 508 standards.

Ralph Appelbaum Inspired SoundStik® Case

Simple architectural lines—stylish, but unobtrusive. Designed and manufactured specifically for museums and tourist attractions. Custom colors, text or logo etching available.

Versatile

Broader choice of features to suit your needs. Custom systems. Content development, editing, production or translation.

Tops in Service

Our client list tells the story. Friendly, knowledgeable support from start to finish. We do what it takes to assure our products merit your trust.

US-Based Manufacturer

Our proprietary products are designed, engineered, assembled, programmed and serviced in America from US and globally sourced components.

Martha Yaney is a co-founder of Vista Group International and has been owner and president since 2011. She is a Connecticut Council of Technology “Women of Innovation®” 2015 Honoree.



25 Van Zant Street, Unit 14-7B
Norwalk, CT 06855
VistaGroupInternational.com
TEL: 203.852.5557
FAX: 203.852.5559



Contact: Martha B. Yaney, Owner/President
martha.yaney@vistagroupinternational.com

Pertinent Codes

Duns: 626596688 WOSB SAM Active CAGE Code: 5LLM5
NAICS: 334310 Primary, 334290, 335999, 339950, 423690, 512290
PSC: 5996, 5965, 5835
Payment Terms: Accept bank checks, EFT, credit cards and purchase cards



- Museums
- Visitor Centers
- Historic Sites
- Parks
- Libraries
- Nature Centers
- Halls of Fame
- Corporate Exhibits

Vista Group Service

Our clients design, fabricate and maintain stunning exhibits. They deliver education, entertainment and accessibility to thousands, sometimes millions, of visitors.

We are dedicated to delivering rock-solid performance for:

- High quality, durable products for extended use
- Friendly, knowledgeable service from start to finish
- Spare parts and repairs

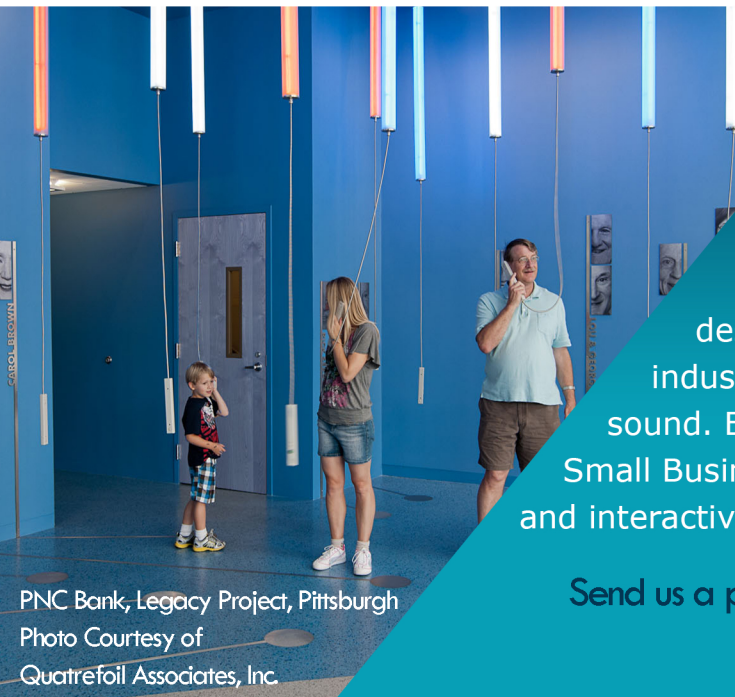
We will work with you from start to finish to make your exhibit the one they remember

Vista groups proprietary products are manufactured in America.

We offer support services including:

- Message scripting, editing, production, translation
- Custom features, wiring kits, Braille plates

Martha B. Yaney, President/Owner
Martha.yaney@VistaGroupInternational.com
Toll Free: 1.800.866.2113
Main: 203.852.5557



Vista Group International

Vista Group International works with exhibit designers in the museum, trade-show and tourism industries who are seeking to enhance their exhibits with sound. Established in 1990, Vista Group is a Woman Owned Small Business providing a broad range of exhibit audio devices and interactive systems to enhance visitor satisfaction.

Send us a photo of your project using Vista group products

We bring exhibits to life