

SOUNDSTIK® mp3

For audio impact with less to buy and hide



...we have been thrilled with their performance! Visitor feedback has been great – so we are looking to add some more Stiks in the museum.

*Justin Gamache
Wright Museum of
World War II*

Photo Courtesy of the
Wright Museum of WWII

A self-contained sound system

Fortify your exhibit with CD quality sound and disability access compliance by using a convenient SoundStik-mp3 audio handset.

Visitors lift and listen. Program starts automatically.

- So much to see? Bring out the best with a highlight tour and simultaneously accommodate visitors who have low-vision.
- Static exhibit? Give it energy with character voices, music and sound effects.
- Visitors ignoring your text panels? Expand your reach to visitors who are expecting multimedia.
- Competing with ambient noise? Increase intelligibility and reduce noise pollution with personal listening. Adjustable volume helps visitors who are hard-of-hearing and it resets automatically for the next user.

An all-in-one solution for exhibit interpretation, the SoundStik-mp3 is designed for simplicity and reliability from start to finish.

Contact us to discuss your application.

We Bring Exhibits to Life



Woman Owned Small Business SAM Active

25 Van Zant Street, Unit 14-7B, Norwalk, CT 06855

US Toll Free: 1.800.866.2113 TEL: +1.203.852.5557 FAX: +1.203.852.5559

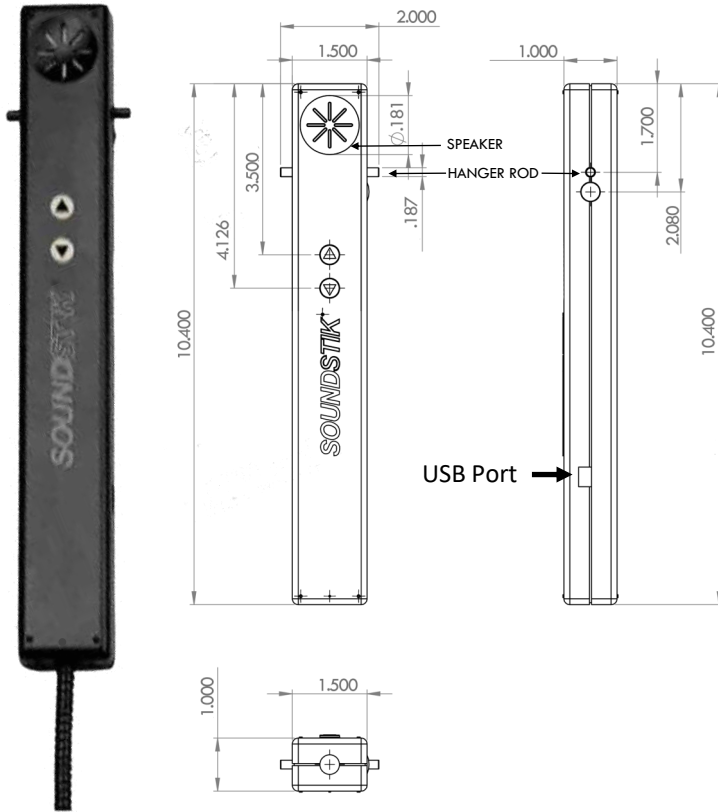
<https://www.vistagroupinternational.com/product-page/soundstik-mp3> info@vistagroupinternational.com



Socially Responsible

- Fulfills ADA and §508 disability access and anti-discrimination regulations
- Eco-friendly materials
- Assembled and serviced in America

SoundStik-mp3



Not to Scale

FEATURES

Stores and Plays an MP3 File

No player required

Lift and Listen

Program starts automatically

Volume is adjustable and resets

Low Maintenance

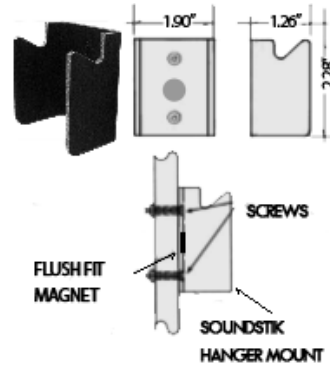
Easy to update mp3 file: USB/SD

Sanitary - Wipes clean

Highly durable *NoBreak*® Case

In the Box:

- SoundStik-mp3 with 48" armored cable with vandal resistant restrainer
- Mounting hardware installed on tether
- Hanger Mount
- Power supply
- USB cable
- Plug-and-play wiring.



SPECIFICATIONS

Material	ABS-PC High impact and high stress resistant flame retardant, eco-friendly, recyclable	Hearing aid T-coil compatible	Yes, ANSI C63.19-2007**
Size	10.5 L, 1.5 W, 1 D (in) 265 L, 38 W, 27 D (mm)	§ 508 compliant	Yes
Color	Black	ADA compliant	Yes
Push Buttons	Light gray, tactile	ROHS compliant	Yes
Armored Tether *	Stainless steel, 48" (1220 mm), black sheathing with stainless steel restrainer cable	Power Supply - switching	5VDC Regulated, 1 Amp
Speaker	32 Ohm, neodymium, PET film	Max power consumption	600 Milliwatts
Frequency Response	20Hz-20 kHz	Control switch	Magnetic
SPL	109 dB, ±2 dB at 1 kHz	Controls	Start on pick-up, Auto-reset volume
Volume Adjustment	+/- 15db Relative to client input	Hanger Mount Material	Aluminum
Capacity	256 Minutes CD quality sound	Hanger Mount Finish	Back
Bit Rate	128 kbps	Hanger Mount Size	2.38 L, 1.88 W, 1.50 D (in) 57.8 L, 48.5 W, 31.9 D (mm)
Sampling Frequency	44.1 kHz	Spare Parts	Yes
		Repair Service	Yes
		Warranty	2 Year Limited Lifetime

* Contact Vista Group for custom lengths

** Contact Vista Group for documentation, if required.